

Pulling Bar Kit

ADJUSTABLE PULLING BAR FOR ENSURED BRAKE USE

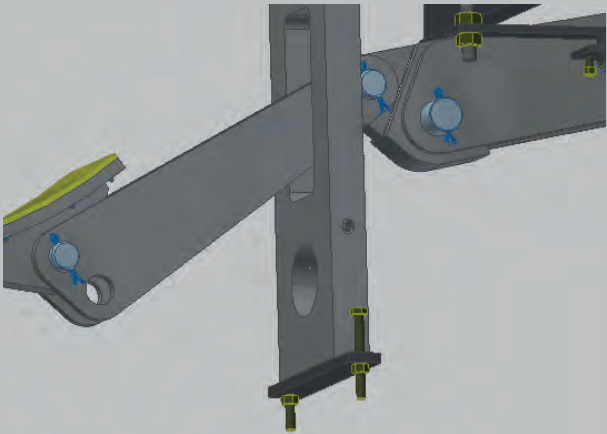


TTS

A MacGregor Company

Pulling Bar Kit

Our custom solution to quickly adjust worn out brake linings



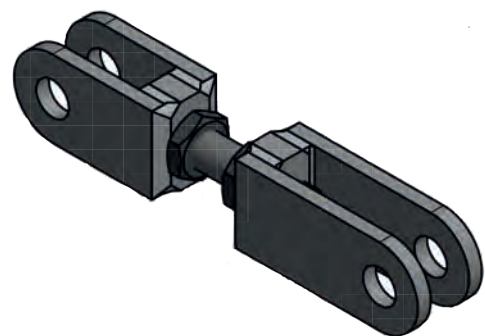
CURRENT PULLING BAR

Worn out brakes negatively affect brake holding force. In this case, it can be effective to adjust the pulling bar.

With the Pulling Bar Kit, worn out brake linings can be compensated to ensure the correct brake holding power.

The adjustable pulling bar can be modified to achieve the necessary length and tightness of the brake linings.

The adjustment is simple and you can easily check the brake band indicator for changes in the brake linings.



ADJUSTABLE PULLING BAR