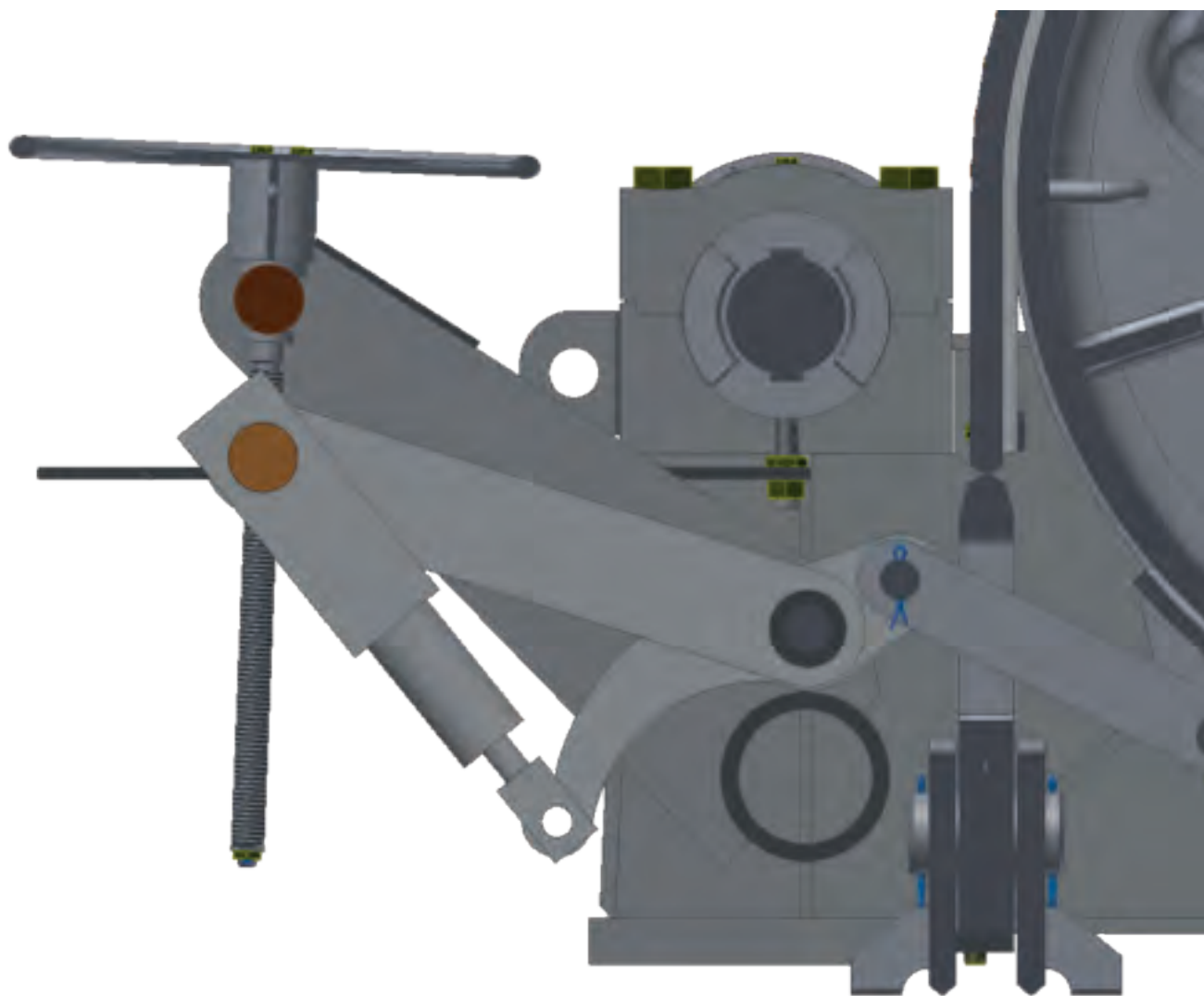


TTS Rendering Device

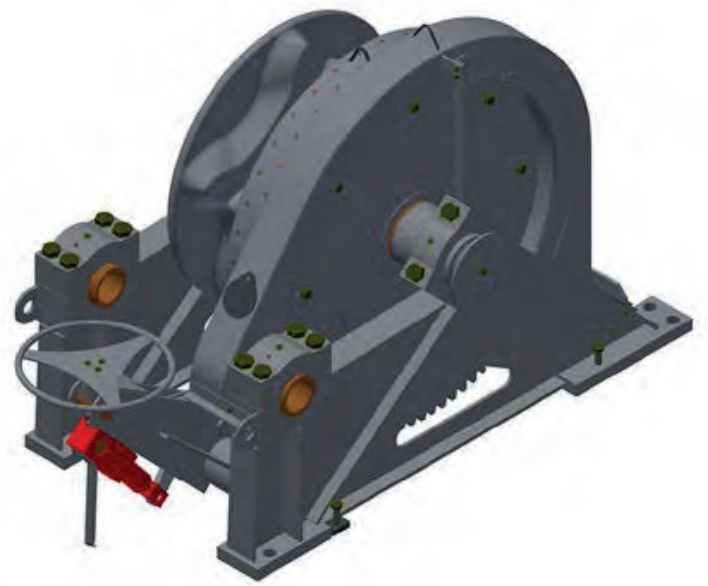
PROTECTS THE WINDLASS DURING HEAVY LOAD SITUATIONS



TTS

A MacGregor Company

THE TTS RENDERING DEVICE ACTIVATES THE WINDLASS BRAKE WHEN OVERLOAD IS DETECTED



Heavy sea conditions, operating error and other negative influences can make heaving the anchor especially difficult. Overtension on the chain can cause the windlass to go into overload. Overload on the windlass can lead to motor damage and be a safety hazard.

The new patented TTS rendering device analyzes various parameters such as load and speed continuously during anchor operation. If overload is detected, the TTS rendering device stops the chain wheel immediately by releasing the brake cylinder which then applies the windlass brake.

This innovation adds further safety to your equipment, reduces downtime and protects your motor from damage.

TTS RENDERING DEVICE

