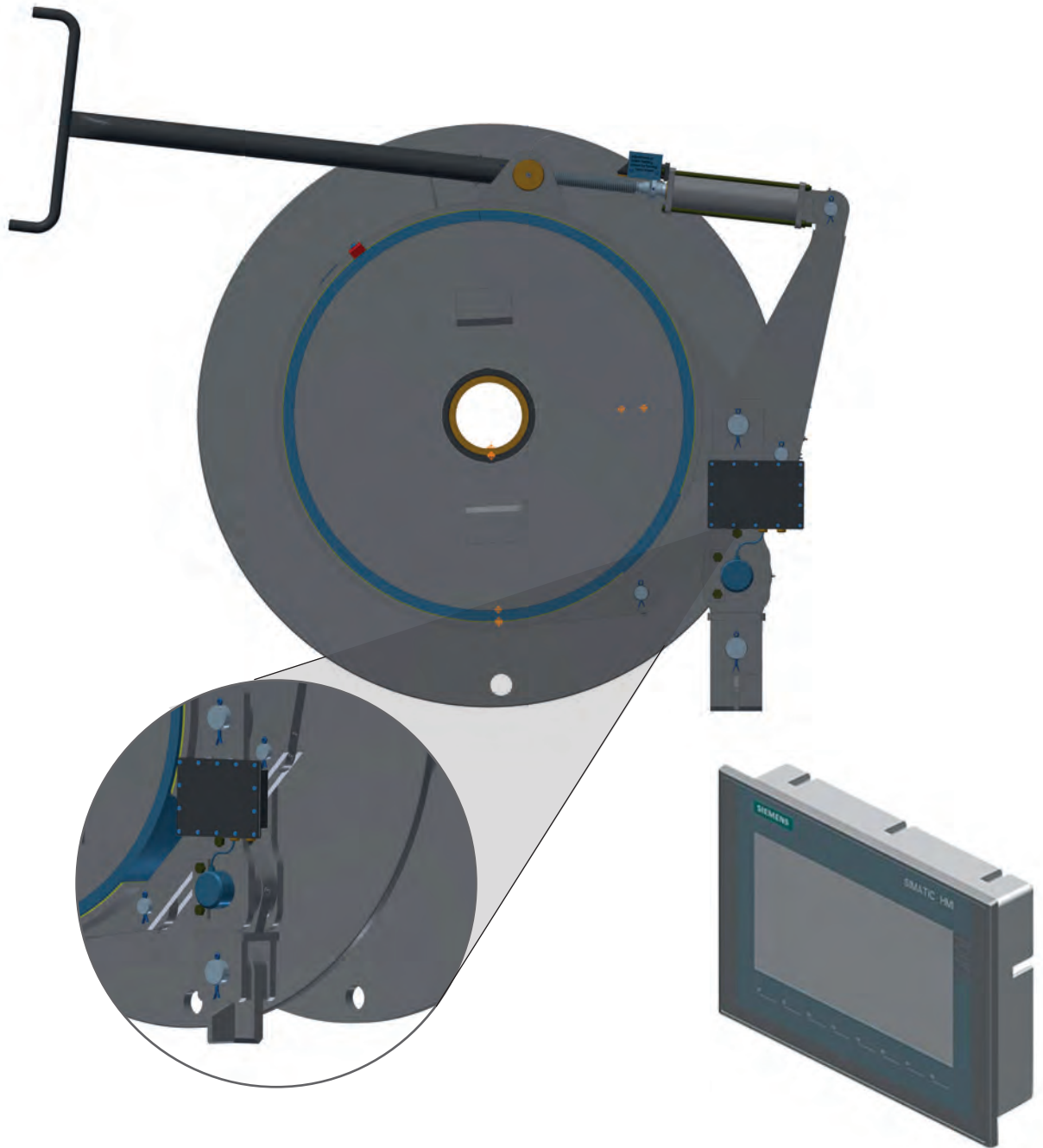
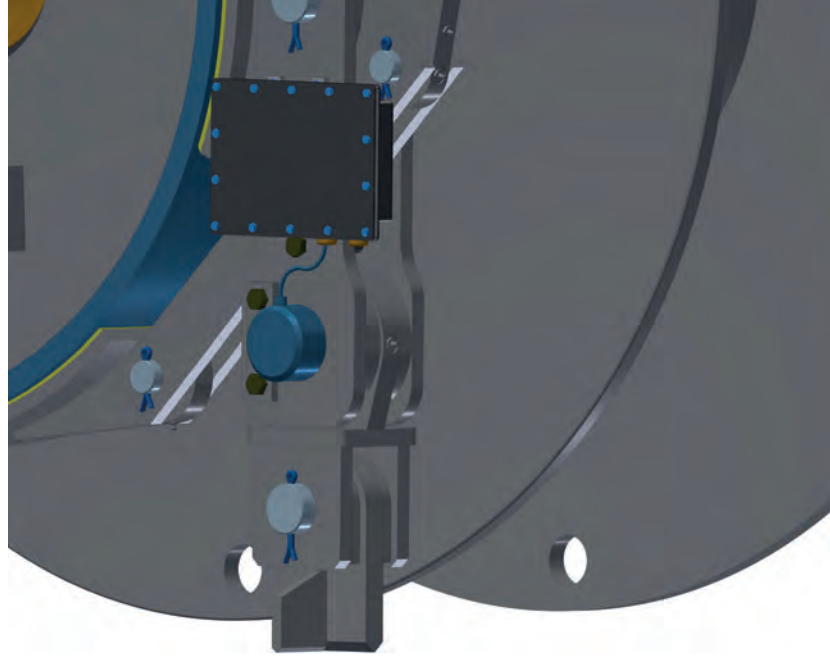


TTS Load Monitoring System

GIVES CONSTANT FEEDBACK ON LOAD ON MOORING WINCHES



The TTS Load Monitoring System fullfills the newest OCIMF regulations.

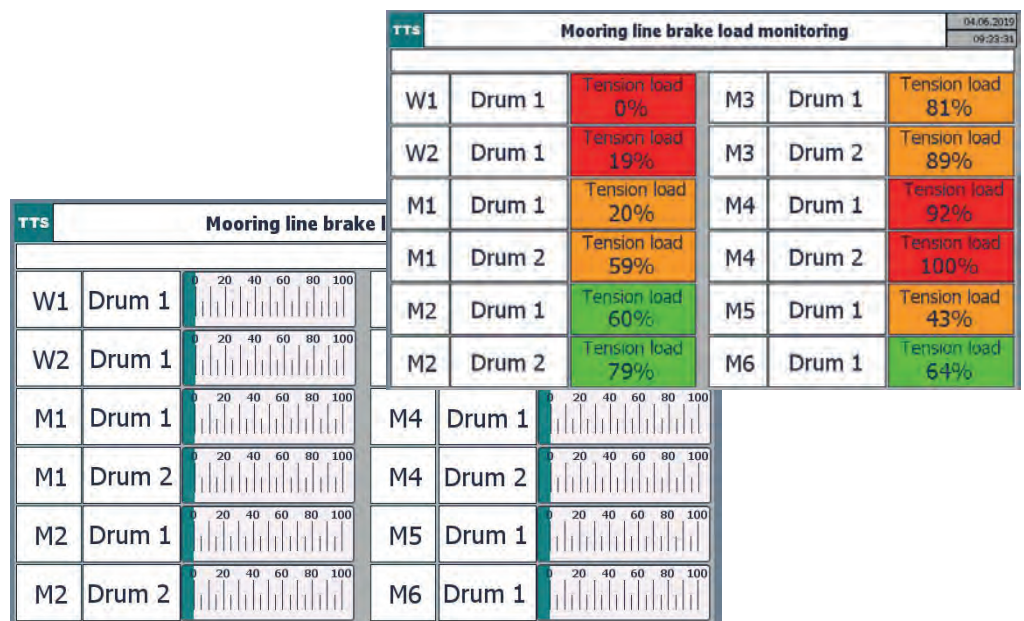


The TTS Load Monitoring System takes the guessing game out of tracking the load on the mooring winch. Available for all new mooring winches or as an add-on for existing winches, the monitoring system helps you avoid damage to equipment and ropes.

The load monitoring system alerts to the need for adjustment. This may occur either when movement during unloading increases the load on the equipment causing ropes to slip or when there is a decreased load on the slack ropes. The system provides constant supervision of the load, which you can track on a screen located at the winch and/or at the bridge controls.

The TTS Load Monitoring System is always active once a jetty has been selected. If the load exceeds a certain point, an alarm notifies the crew to take action. A feature of the load monitoring system is the operator interface which displays the data in a separate window.

Keep in line with the newest OCIMF regulations and protect your equipment with the TTS Load Monitoring System.



Note: Layout of the display may vary depending on equipment.