

SB 1000-114**Control Block NG 10 (without automatic tension)****Spare parts list**

2018-11-28

Rev. B

1 Scope and Target Group

⚠ WARNING

- ✓ Always refer to the user manual for additional information and safety warnings.
- ✓ Only perform this task if you are qualified to carry out the steps described below.
- ✓ Always make sure that the tasks described in this bulletin are intended for the equipment you are working on.
- ✓ If you are unsure about the workflow, steps or qualification, contact your TTS aftersales service contact.

Your after-sales service contact:

TTS Marine GmbH
An der Reeperbahn 6
D-28217 Bremen
Germany

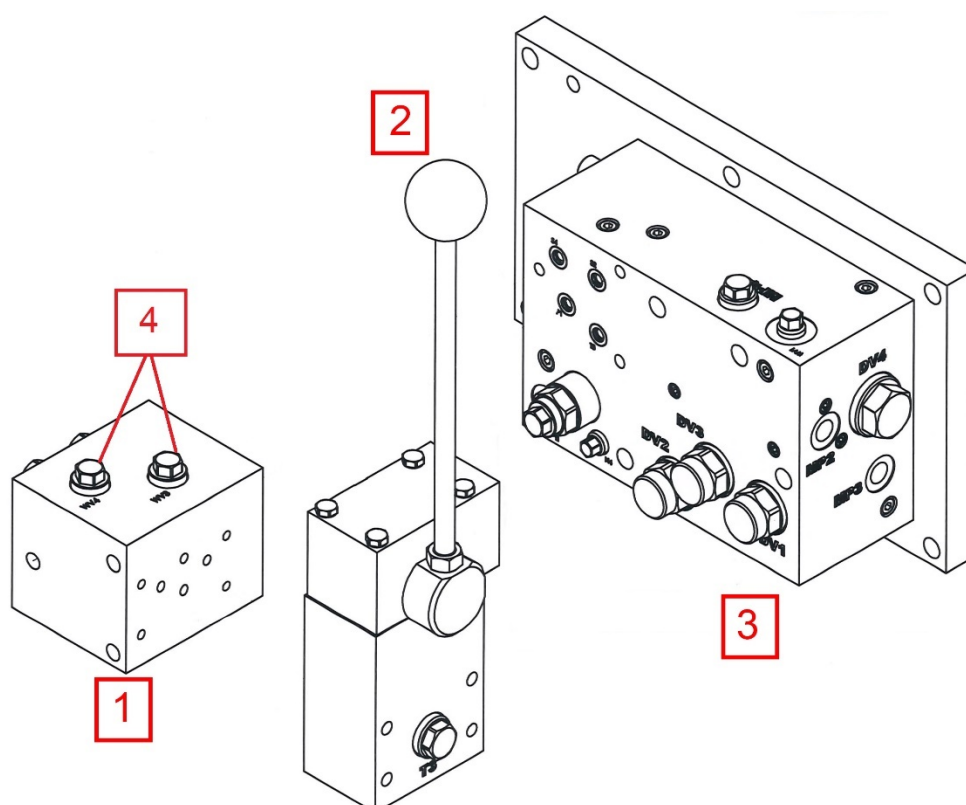
Telephone: +49(421) 520 08-0
Telefax : +49(421) 52008-749
E-Mail: service@ttsgroup.com

2 Overview

Main Elements of Control Block

NOTICE

Only valid if the vessel is equipped with remote control columns.



Control Block - Complete

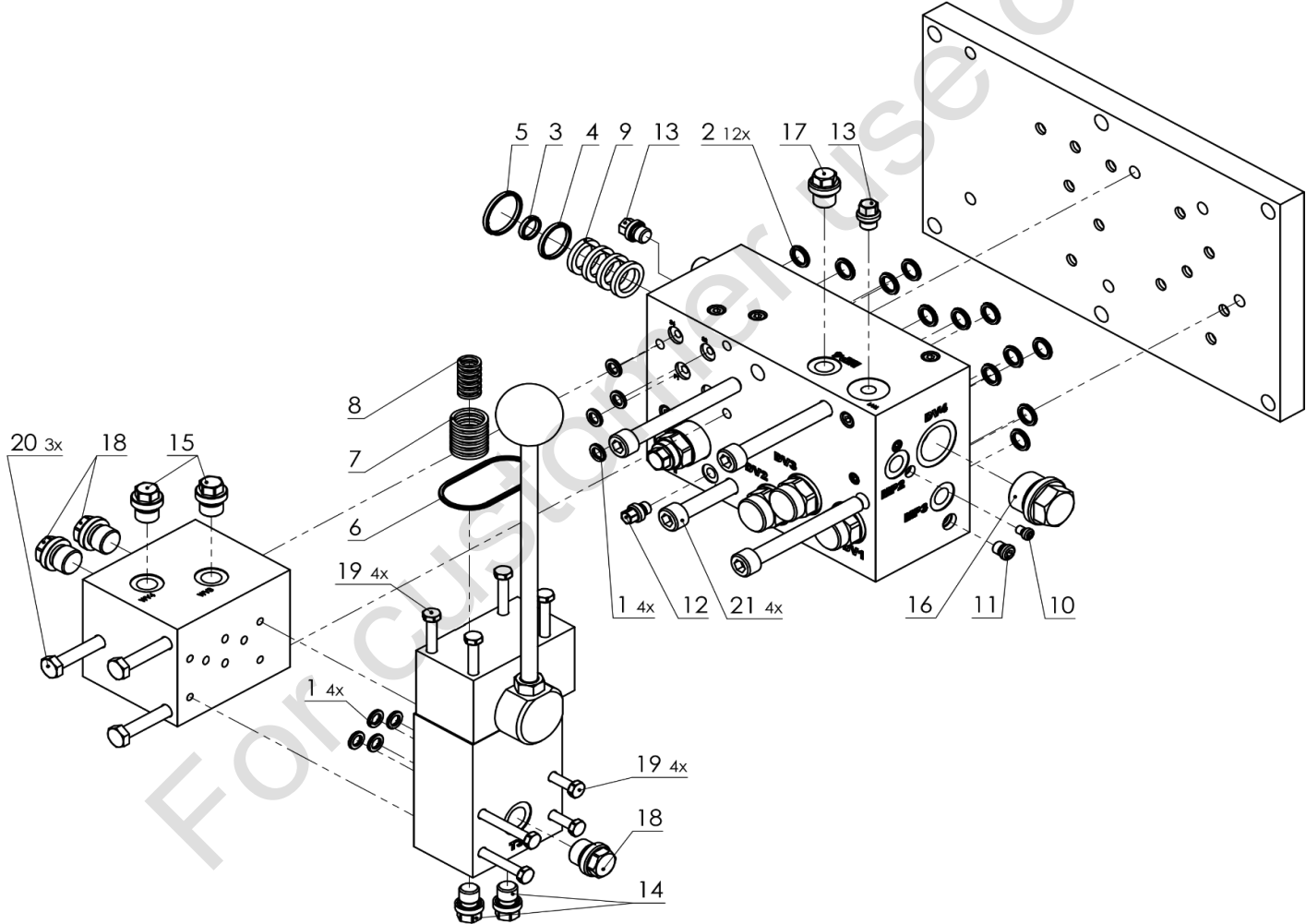
TTS No. 5004511

1	Connection block	TTS No. 5006233
2	Pressure control valve	TTS No. 5006234
3	Base plate with control block	TTS No. 5006235
4	Shuttle valves* (2 pcs)	TTS No. 5005129

NOTICE

In case that the complete control block (TTS No. 5004511) or the connection block (TTS No. 5006233) are replaced, the 2 shuttle valves must also be replaced.

2.1 Control Block – Details





WINCHES

SERVICE BULLETIN – SB 1000-114

2.2 Control Block – Spare Parts List

Set of Seals for Control Block 5004511

TTS No. 5006228

Item	Description	Quantity	
1	O-ring	8	pcs
2	O-ring	12	pcs
3	O-ring	1	pce
4	O-ring	1	pce
5	O-ring	1	pce
6	O-ring	1	pce
7	Pressure spring	1	pce
8	Pressure spring	1	pce
9	Pressure spring	1	pce

Set of Screws for Control Block 5004511

TTS No. 5006229

Item	Description	Quantity	
10	Screw plug	3	pcs
11	Screw plug	3	pcs
12	Screw plug	1	pce
13	Screw plug	2	pcs
14	Screw plug	2	pcs
15	Screw plug	2	pcs
16	Screw plug	1	pce
17	Screw plug	1	pce
18	Screw plug	3	pcs
19	Hexagon screw	8	pcs
20	Hexagon screw	3	pcs
21	Hexagon socket head cap screw	4	pcs